

STRUCTURAL NOTES

1. ALL DIMENSIONS ARE TO BE VERIFIED BY THE CONTRACTOR PRIOR TO FABRICATION/CONSTRUCTION.
2. FRAMING LUMBER TO BE PRESSURE TREATED DOUGLAS FIR NO. 1 OR BETTER.
3. PLYWOOD SHALL BE PER AMERICAN PLYWOOD ASSOCIATION SPECIFICATIONS.
4. ALL FRAMING DEVICES ARE SIMPSON "STRONG-TIE" CONNECTIONS. INSTALL DEVICES AND FILL ALL NAIL HOLES PER MANUFACTURER'S LITERATURE/SPECIFICATIONS.
5. ALL NAILS SHALL BE COMMON. FOR NAILING NOT NOTED REFER TO IBC TABLE 2304.9.1. ALL NAILS INTO PRESSURE TREATED WOOD TO BE HOT DIPPED GALVANIZED.
6. FOR FRAMING DETAILS NOT SHOWN REFER TO IBC "CONVENTIONAL FRAMING" PROVISIONS.
7. MEMBERS IN CONTACT WITH CONCRETE OR MASONRY SHALL BE PRESSURE TREATED OR FOUNDATION GRADE REDWOOD. DO NOT PLACE ANY WOOD MEMBERS IN CONTACT WITH THE EARTH.
8. PLYWOOD SHEAR WALL PANEL VENEERS SHALL NOT BE BROKEN OR CRUSHED UPON THE INSTALLATION OF SHEAR WALL NAILING.
9. SHEATHING TO CLEAR ALL CONCRETE SURFACES BY A MINIMUM OF 1".
10. SIDE SHEATHING TO ANCHOR TO EXISTING WALL AT UPPER LEDGER AND LOWER NAILER.

MAINTENANCE NOTE:

A SNOW SHED WILL HELP PREVENT SNOW AND ICE ACCUMULATION, BUT IS NOT A SUBSTITUTE FOR THE UPKEEP AND MAINTENCE OF THE ADJOINING RESIDENCE OR STRUCTURE. IT IS IMPORTANT TO KEEP GUTTERS FREE OF LEAVES AND DEBRIS, INCLUDING THOSE ABOVE OR NEAR THE NATURAL GAS METER. ALSO, NO SHED WILL PROTECT AGAINST FALLING ICE SHEETS, SO CARE MUST BE TAKEN TO PREVENT THE ACCUMULATION OF ICE THAT COULD RESULT IN AN ICE FALL.



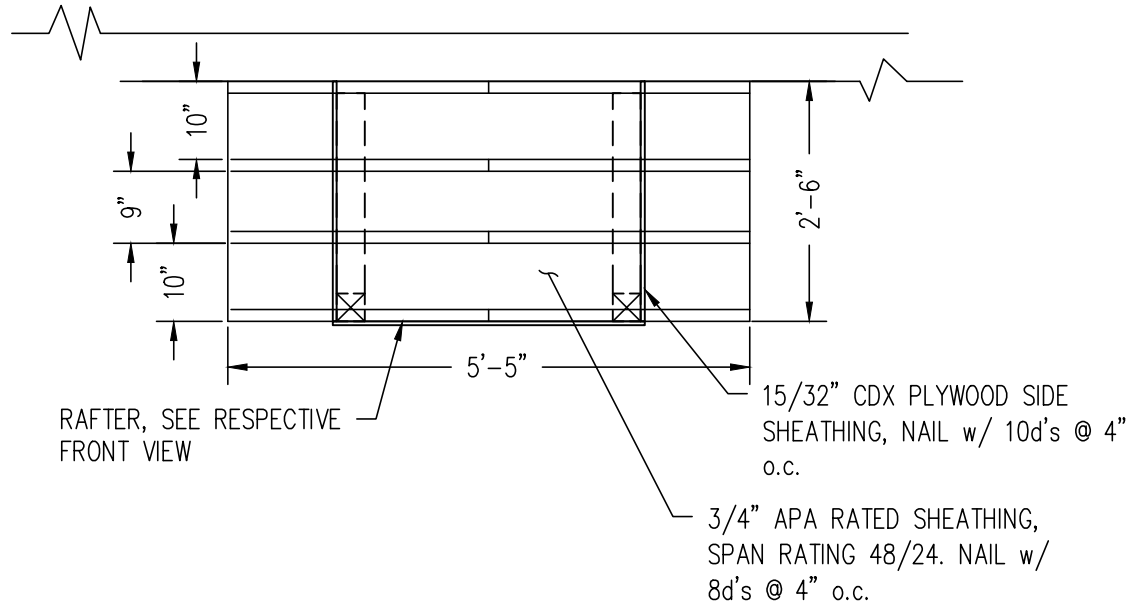
© SCD PLANNING & ENGINEERING, INC.
 GRASS VALLEY
 530-272-5844
 TRUCKEE
 530-436-4043
 FAX: 530-265-8758

SCD
 PLANNING & ENGINEERING

GAS METER SHELTER
 IMPROVEMENT PLANS
 NOTES

CALIFORNIA
 TAHOE

NO.	REVISIONS	DATE	DESIGNED: JTB
			DRAWN: JTB
			PROJ. NO: 202113
			DATE: JULY, 2023



GABLE ROOF – TYPICAL PLAN VIEW

SCALE: 1/2" = 1'-0"



7/25/2022

NO.	REVISIONS	DATE	DESIGNED: JTB
			DRAWN: JTB
			PROJ. NO: 202213
			DATE: JULY, 2023

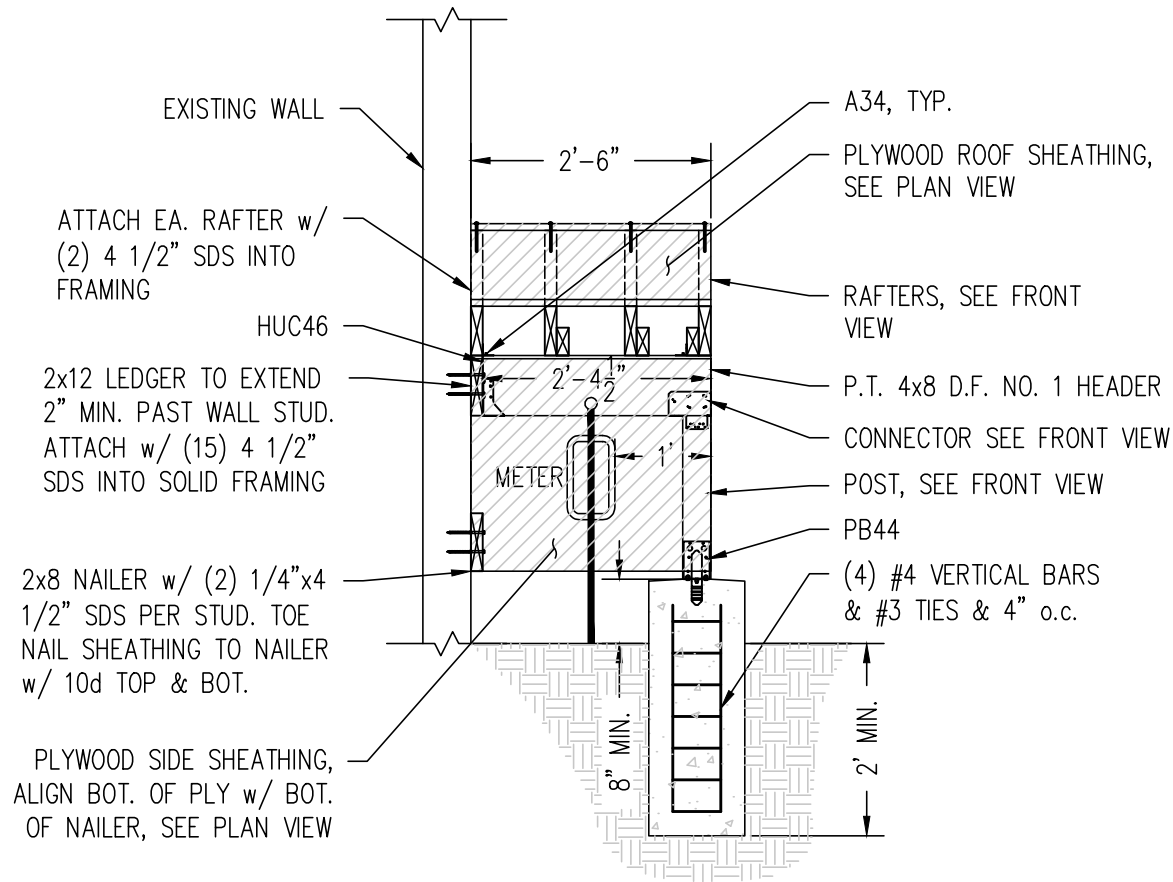
GAS METER SHELTER
IMPROVEMENT PLANS
GABLE - PLAN VIEW

TAHOE

CALIFORNIA



CRASS VALLEY
530-272-5844
TRUCKEE
530-486-4043
FAX: 530-265-8758



1 650 PSF GABLE ROOF - SIDE VIEW
SCALE: 1/2" = 1'-0"




DESIGNED: JTB	DATE
DRAWN: JTB	
PROJ. NO: 202213	
DATE: JULY, 2023	

NO. REVISIONS	

GAS METER SHELTER
IMPROVEMENT PLANS
650 PSF GABLE - SIDE VIEW
CALIFORNIA

TAHOE



SCo ENGINEERING & ARCHITECTURE

CRASS VALLEY
530-272-5844
TRUCKEE
530-436-4043
FAX: 530-265-8758

© SCo PLANNING & ENGINEERING, INC.

3/4" APA RATED SHEATHING,
SPAN RATING 48/24. NAIL w/
8d's @ 4" o.c.

2x6 D.F. NO. 1 RAFTER

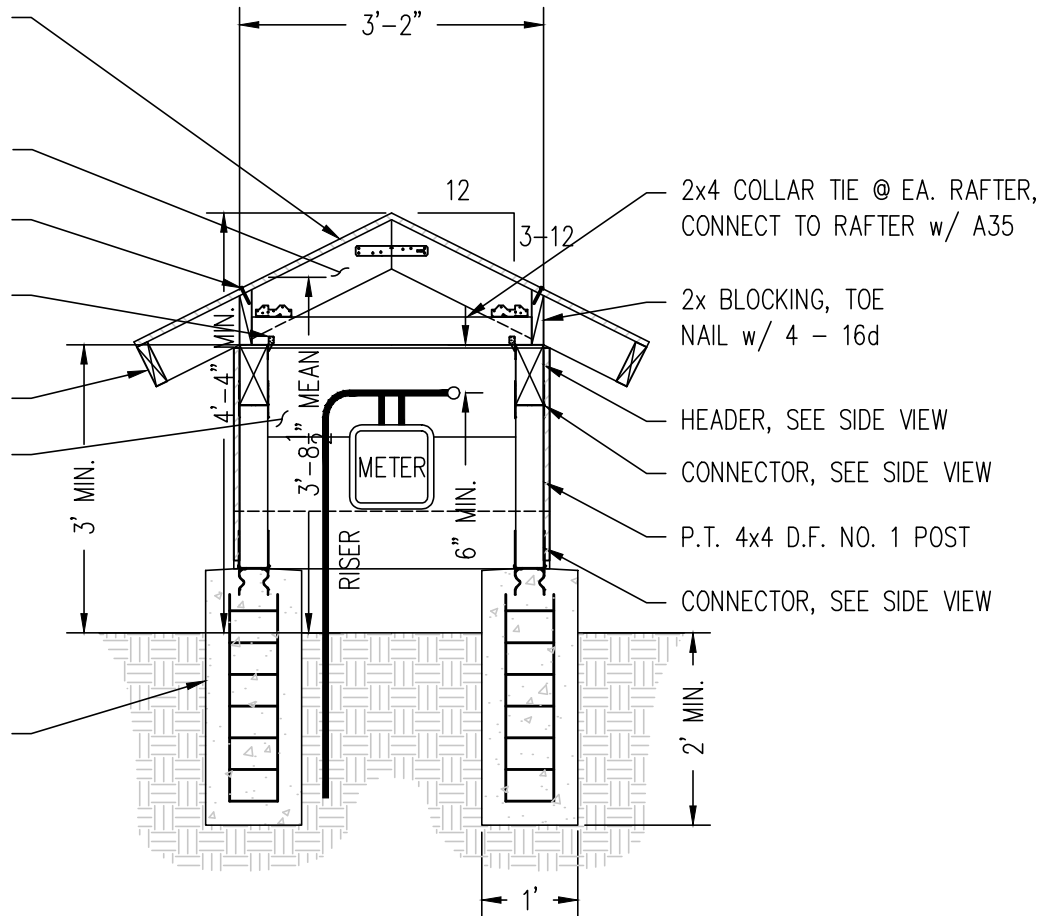
EDGE NAIL, TYP.

H2.5 EVERY OTHER
RAFTER, EA. SIDE

2x6 FASCIA

2x LEDGER
BEYOND

CONCRETE SHALL
HAVE 1500 PSI
MINIMUM STRENGTH



② 650 PSF GABLE ROOF - FRONT VIEW
SCALE: 1/2" = 1'-0"



DESIGNED: JTB	DATE
DRAWN: JTB	
PROJ. NO: 202213	
DATE: JULY, 2023	

NO.	REVISIONS

CALIFORNIA

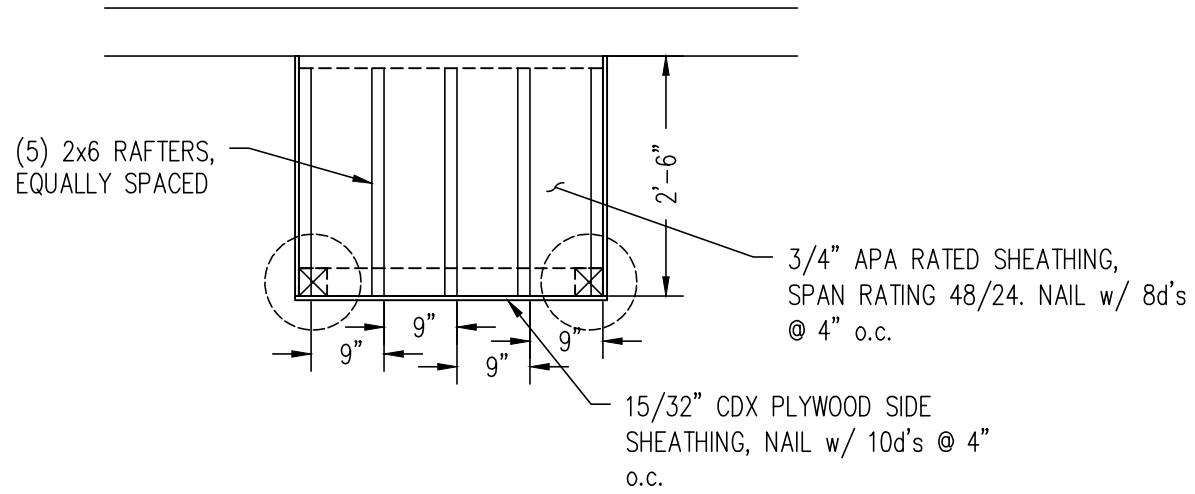
GAS METER SHELTER
IMPROVEMENT PLANS
650 PSF GABLE - FRONT VIEW

TAHOE



GRASS VALLEY
530-272-5844
TRUCKEE
530-436-4043
FAX: 530-265-8758

© SCS PLANNING & ENGINEERING, INC.



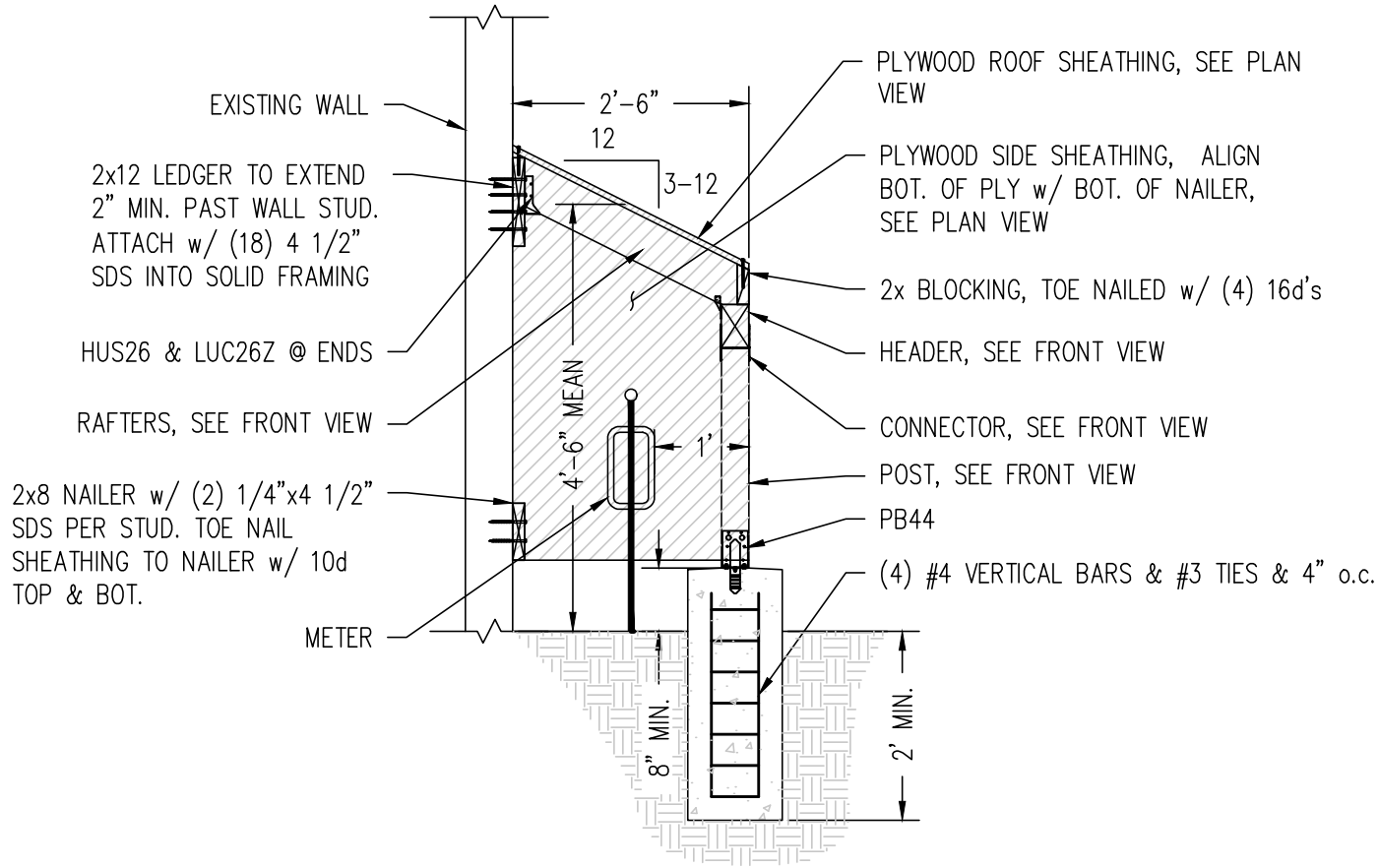
SHED ROOF - TYPICAL PLAN VIEW

SCALE: 1/2" = 1'-0"



7/25/2022

GAS METER SHELTER IMPROVEMENT PLANS SHED - PLAN VIEW	NO. REVISIONS	DATE	DESIGNED: JTB
			DRAWN: JTB
			PROJ. NO: 202213
			DATE: JULY, 2023
			CALIFORNIA
			TAHOE
			 SCOTT ORR PLANNING, ENGINEERING, & ARCHITECTURE
			GRASS VALLEY 530-272-5844 TRUCKEE 530-436-4043 FAX: 530-265-8758



1 650 PSF SHED ROOF - SIDE VIEW
SCALE: 1/2" = 1'-0"

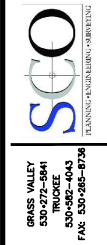


DESIGNED: JTB	DATE
DRAWN: JTB	NO. REVISIONS
PROJ. NO: 202213	
DATE: JULY, 2023	

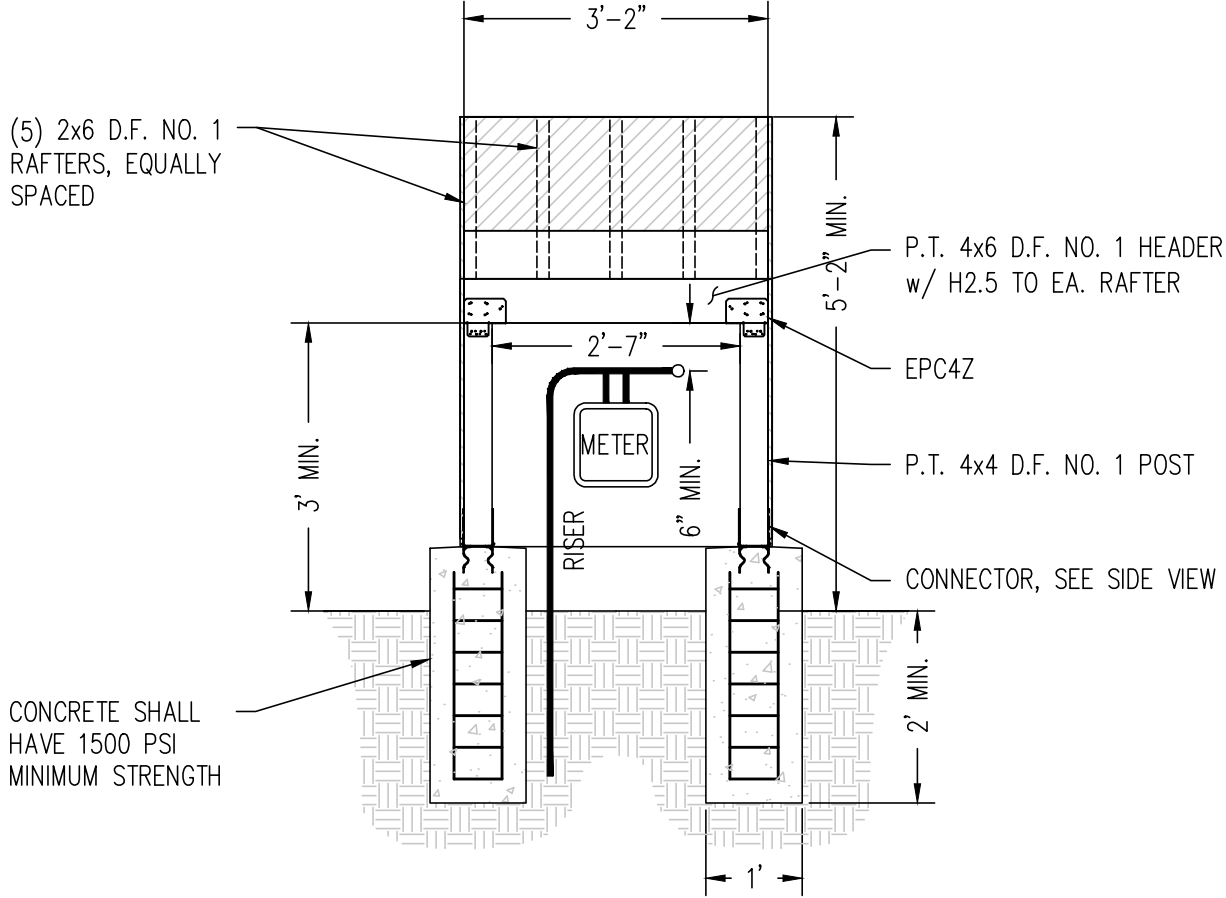
CALIFORNIA

GAS METER SHELTER
IMPROVEMENT PLANS
650 PSF SHED - SIDE VIEW

TAHOE



CRASS VALLEY
530-272-5844
TRUCKEE
530-486-4043
FAX: 530-265-8758



② 650 PSF SHED ROOF - FRONT VIEW
SCALE: 1/2" = 1'-0"



DESIGNED: JTB	DATE	NO. REVISIONS	DATE	CALIFORNIA
DRAWN: JTB				
PROJ. NO: 202213				
DATE: JULY, 2023				
GAS METER SHELTER IMPROVEMENT PLANS 650 PSF SHED- FRONT VIEW				
TAHOE				
SCS				
SCS ENGINEERING, INC.				
GRASS VALLEY 530-272-5848 TRUCKEE 530-486-4043 FAX: 530-285-8758				