

# STRUCTURAL NOTES

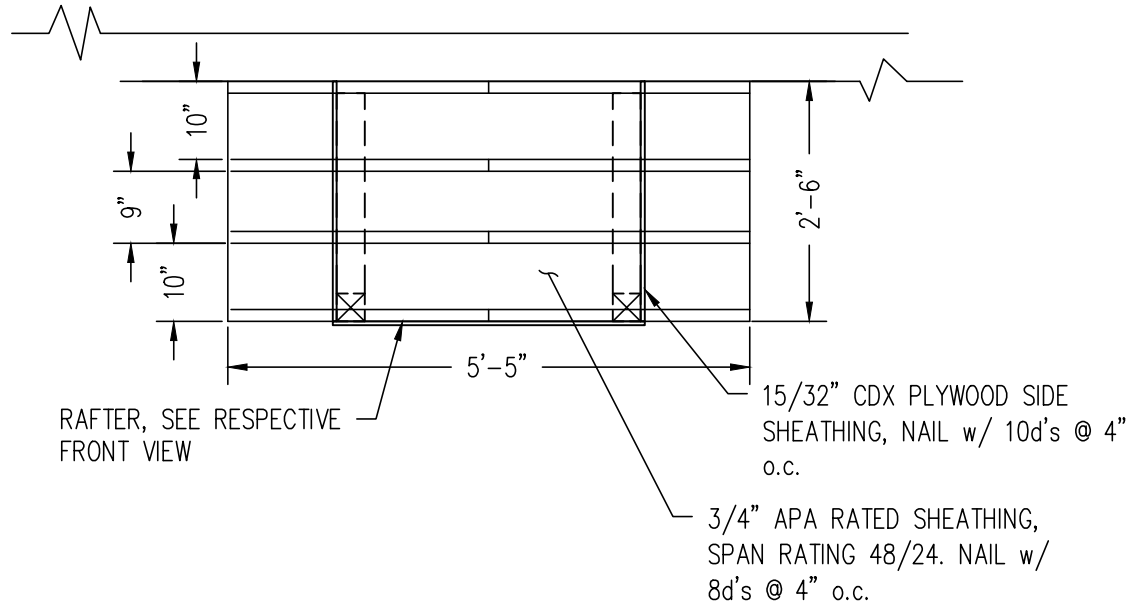
1. ALL DIMENSIONS ARE TO BE VERIFIED BY THE CONTRACTOR PRIOR TO FABRICATION/CONSTRUCTION.
2. FRAMING LUMBER TO BE PRESSURE TREATED DOUGLAS FIR NO. 1 OR BETTER.
3. PLYWOOD SHALL BE PER AMERICAN PLYWOOD ASSOCIATION SPECIFICATIONS.
4. ALL FRAMING DEVICES ARE SIMPSON "STRONG-TIE" CONNECTIONS. INSTALL DEVICES AND FILL ALL NAIL HOLES PER MANUFACTURER'S LITERATURE/SPECIFICATIONS.
5. ALL NAILS SHALL BE COMMON. FOR NAILING NOT NOTED REFER TO IBC TABLE 2304.9.1. ALL NAILS INTO PRESSURE TREATED WOOD TO BE HOT DIPPED GALVANIZED.
6. FOR FRAMING DETAILS NOT SHOWN REFER TO IBC "CONVENTIONAL FRAMING" PROVISIONS.
7. MEMBERS IN CONTACT WITH CONCRETE OR MASONRY SHALL BE PRESSURE TREATED OR FOUNDATION GRADE REDWOOD. DO NOT PLACE ANY WOOD MEMBERS IN CONTACT WITH THE EARTH.
8. PLYWOOD SHEAR WALL PANEL VENEERS SHALL NOT BE BROKEN OR CRUSHED UPON THE INSTALLATION OF SHEAR WALL NAILING.
9. SHEATHING TO CLEAR ALL CONCRETE SURFACES BY A MINIMUM OF 1".
10. SIDE SHEATHING TO ANCHOR TO EXISTING WALL AT UPPER LEDGER AND LOWER NAILER.

# MAINTENANCE NOTE:

A SNOW SHED WILL HELP PREVENT SNOW AND ICE ACCUMULATION, BUT IS NOT A SUBSTITUTE FOR THE UPKEEP AND MAINTENCE OF THE ADJOINING RESIDENCE OR STRUCTURE. IT IS IMPORTANT TO KEEP GUTTERS FREE OF LEAVES AND DEBRIS, INCLUDING THOSE ABOVE OR NEAR THE NATURAL GAS METER. ALSO, NO SHED WILL PROTECT AGAINST FALLING ICE SHEETS, SO CARE MUST BE TAKEN TO PREVENT THE ACCUMULATION OF ICE THAT COULD RESULT IN AN ICE FALL.



	© SCO PLANNING & ENGINEERING, INC. GRASS VALLEY 530-272-5844 TRUCKEE 530-436-4043 FAX: 530-265-8758	TAHOE	CALIFORNIA
<b>GAS METER SHELTER IMPROVEMENT PLANS NOTES</b>			
NO. REVISIONS	DATE	DESIGNED: JTB	DRAWN: JTB
		PROJ. NO: 202113	DATE: JULY, 2023



**GABLE ROOF – TYPICAL PLAN VIEW**

SCALE: 1/2" = 1'-0"



7/25/2022

NO.	REVISIONS	DATE	DESIGNED: JTB
			DRAWN: JTB
			PROJ. NO: 202213
			DATE: JULY, 2023

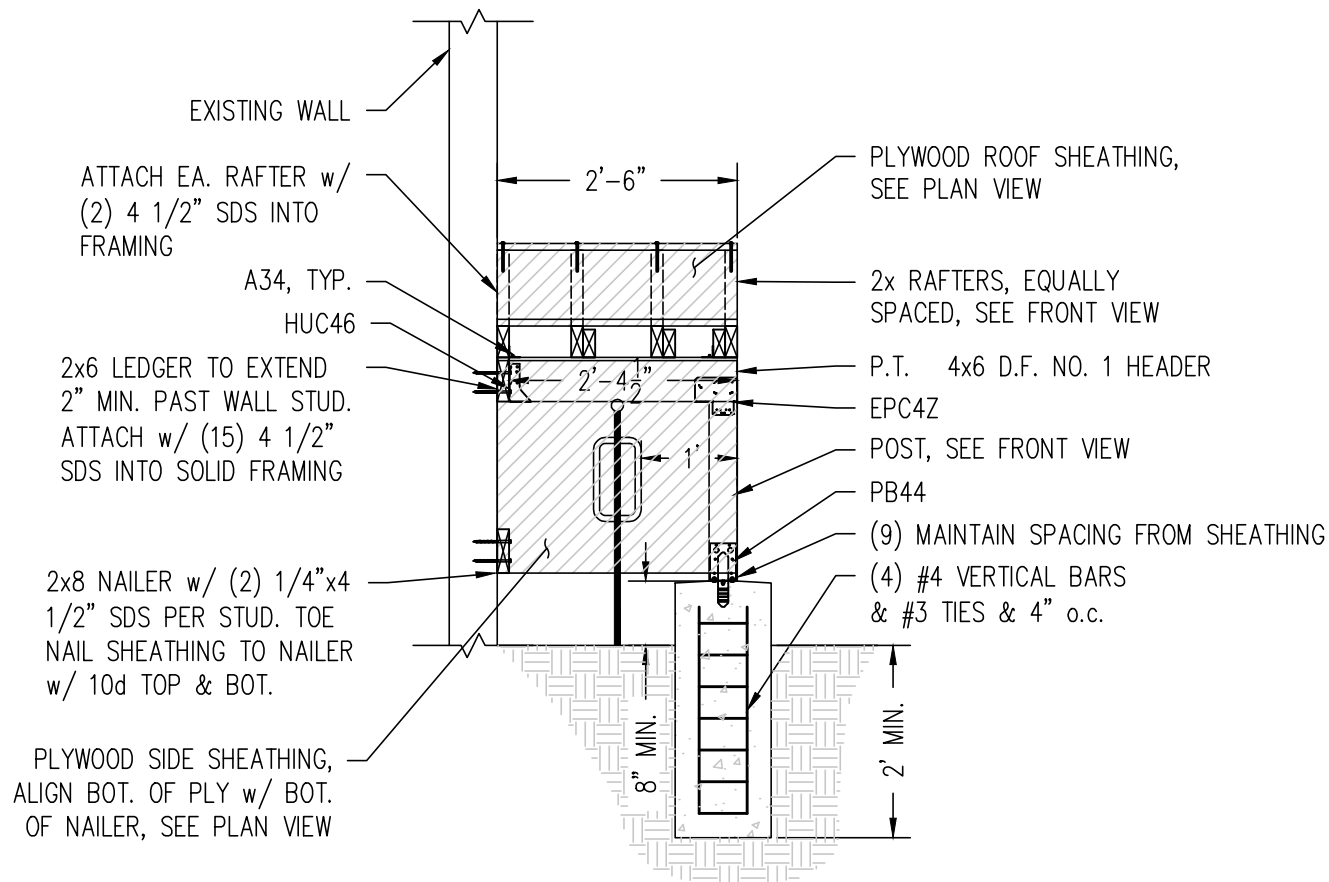
**GAS METER SHELTER  
IMPROVEMENT PLANS  
GABLE - PLAN VIEW**

CALIFORNIA

TAHOE



CRASS VALLEY  
530-272-5844  
TRUCKEE  
530-436-4043  
FAX: 530-265-8758



① 100 PSF GABLE ROOF – SIDE VIEW  
SCALE: 1/2" = 1'-0"



DESIGNED: JTB	DATE	CALIFORNIA
DRAWN: JTB		
PROJ. NO: 202113		
DATE: JULY, 2023		
GAS METER SHELTER IMPROVEMENT PLANS 100 PSF GABLE - SIDE VIEW		
TAHOE		
 CRASS VALLEY 530-272-5848 TRUCKEE 530-486-4043 FAX: 530-285-8758		

© SCO PLANNING & ENGINEERING, INC.

3/4" APA RATED SHEATHING,  
SPAN RATING 48/24. NAIL w/  
8d's @ 4" o.c.

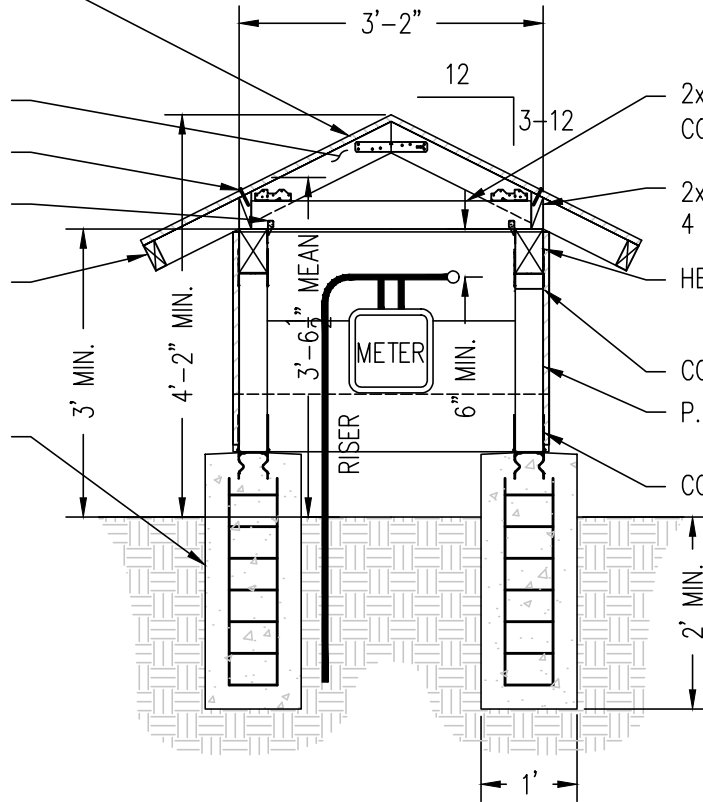
2x4 D.F. NO. 1 RAFTER

EDGE NAIL, TYP.

H2.5 EVERY OTHER  
RAFTER, EA. SIDE

2x4 FASCIA

CONCRETE SHALL  
HAVE 1500 PSI  
MINIMUM STRENGTH



2x4 COLLAR TIE @ EA. RAFTER,  
CONNECT TO RAFTER w/ A35

2x BLOCKING, TOE NAIL w/  
4 - 16d

HEADER, SEE SIDE VIEW

CONNECTOR, SEE SIDE VIEW

P.T. 4x4 D.F. NO. 1 POST

CONNECTOR, SEE SIDE VIEW

② 100 PSF GABLE ROOF - FRONT VIEW  
SCALE: 1/2" = 1'-0"



NO.	REVISIONS	DATE	DESIGNED: JTB
			DRAWN: JTB
			PROJ. NO: 202213
			DATE: JULY, 2023

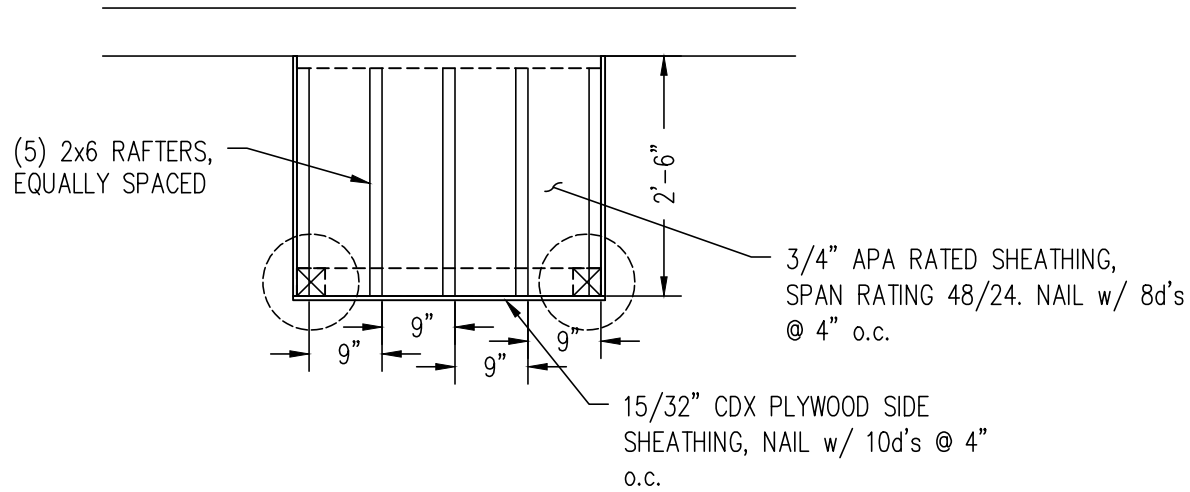
GAS METER SHELTER  
IMPROVEMENT PLANS  
100 PSF GABLE - FRONT VIEW  
CALIFORNIA



CRASS VALLEY  
530-272-5841  
TRUCKEE  
530-436-4043  
FAX: 530-265-8758

TAHOE

© SCO PLANNING & ENGINEERING, INC.



**SHED ROOF – TYPICAL PLAN VIEW**

SCALE: 1/2" = 1'-0"



7/25/2022

NO.	REVISIONS	DATE	DESIGNED: JTB
			DRAWN: JTB
			PROJ. NO: 202213
			DATE: JULY, 2023

GAS METER SHELTER  
 IMPROVEMENT PLANS  
 SHED - PLAN VIEW

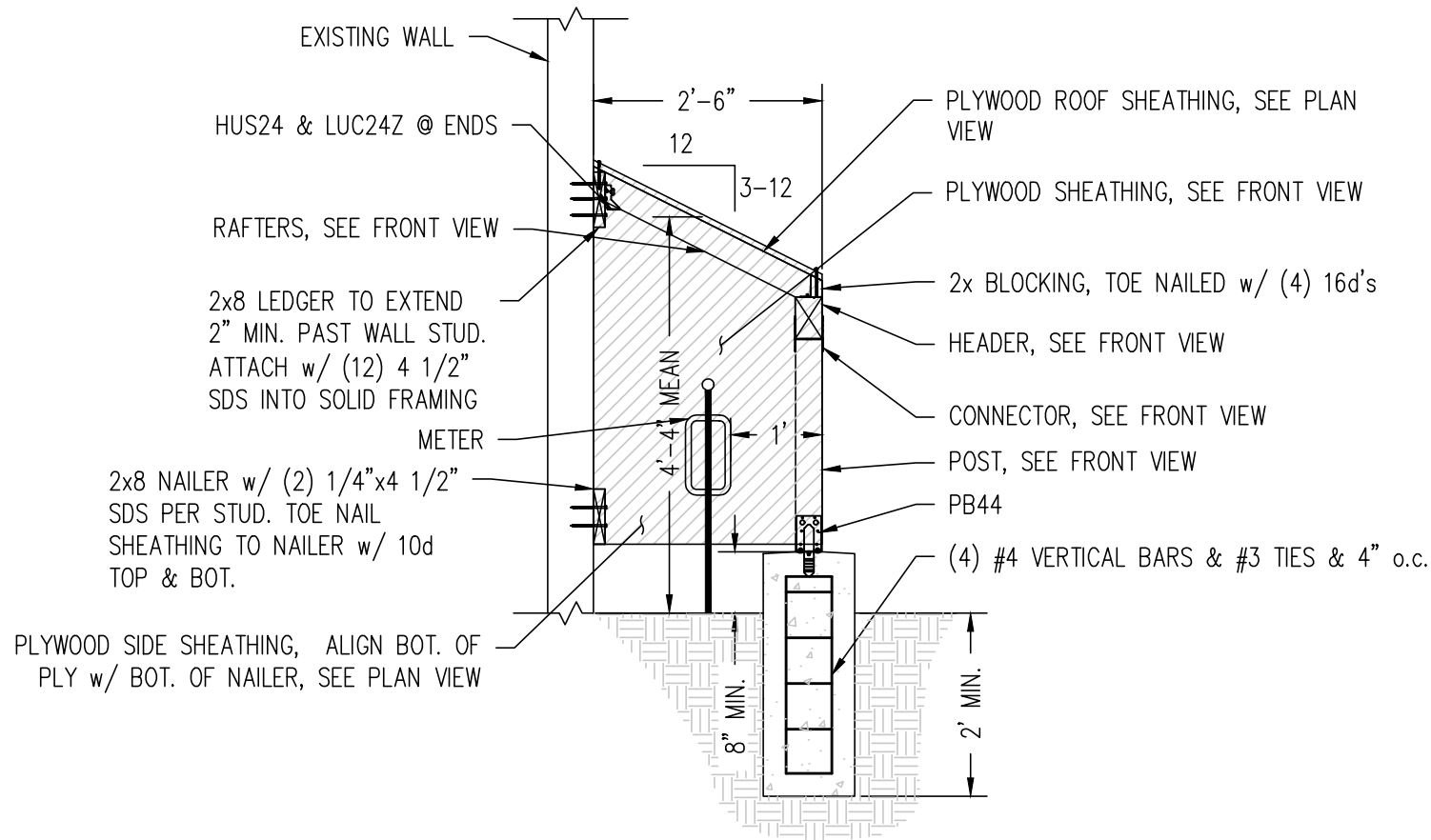
CALIFORNIA

TAHOE



GRASS VALLEY  
 530-272-5844  
 TRUCKEE  
 530-486-4043  
 FAX: 530-265-8758

© SCO PLANNING & ENGINEERING, INC.



① 100 PSF SHED ROOF – SIDE VIEW  
SCALE: 1/2" = 1'-0"



DESIGNED: JTB	DATE	CALIFORNIA
DRAWN: JTB	NO. REVISIONS	
PROJ. NO: 202213		
DATE: JULY, 2023		
GAS METER SHELTER IMPROVEMENT PLANS 100 PSF SHED - SIDE VIEW		
TAHOE		
		
GRASS VALLEY 530-272-5844 TRUCKEE 530-486-4043 FAX: 530-285-8758		

© SCO PLANNING & ENGINEERING, INC.

